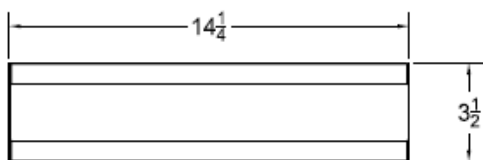
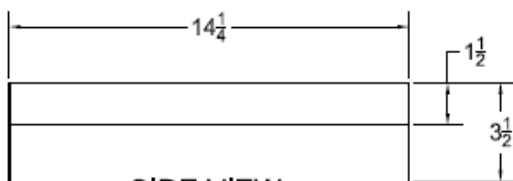


# PRODUCT SPEC SHEET/KEY SPECIFICATIONS

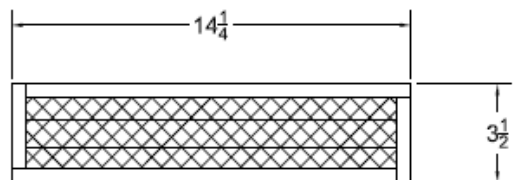
## UNDER EAVE/SOFFIT VENTS Model # UE2021-EB



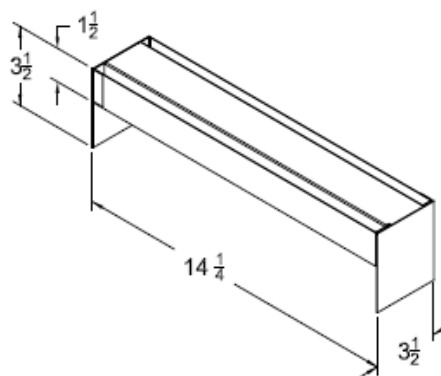
TOP VIEW



SIDE VIEW



BOTTOM VIEW



Under Eave/Soffit Vents	Model	Size L x W	NFVA Provided	Flanges available	Flange Definition	Weight
	UE2021-EB	14" x 3.5"	14	No flange, Only 2" ears facing back	No flange, Only 2" ears facing back	5lbs
Continuous Vents and other CUSTOM SIZES AVAILABLE						5lbs

### BENEFITS:

- Safety vents that are used in areas prone to wildfires, wind driven rain, or wind driven snow.
- Overlapping Baffle Protection ( Patent Pending )
  - Air Flow through normally
  - Resists the intrusion of Flame and Embers, Wind Driven Rain and Wind Driven Snow
- Compliant with new California Ch7a Building Code
- 20 Year Warranty
- Easy Install

### STANDARD MATERIALS

1/4" mesh Standard unless otherwise requested  
 Astm A653/A653M- G90 hot dipped galvanized steel, 26GA  
 ASTM D9092- mill phosphatized coating for painting.- bonderized  
 ASTM b370- Sheet Copper, 16oz and 20oz- if copper

**Installation:** Install like any other similar Ventilator Product on the market.