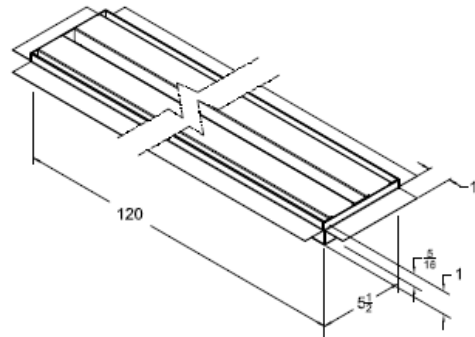
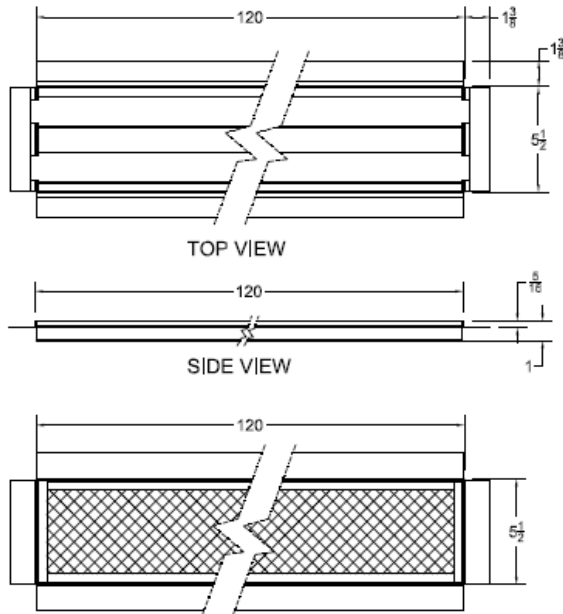


## 5.5" x 120" Soffit Vent Model # CS2021-H



Soffit Vents	Model	Size W x L	NFVA Provided (Sq in)	Flanges Available	Flange Definition	Weight
	CS2021-H	5.5" x 120"	177	Hardie/Fiber Cement	5/16" Setback	15lbs
Continuous Soffit and Custom sizes/materials AVAILABLE						

### BENEFITS:

- Safety vents that are used in areas prone to wildfires, wind driven rain, or winddriven snow.
- Overlapping Baffle Protection (Patented)
  - Air Flows through normally
  - Resists the intrusion of Flame and Embers, Wind Driven Rain and Wind Driven Snow
- Approved for use throughout California and beyond
- Anti -Clogging Overlapping Baffles plus 1/8" mesh on back side of vent
- Prevents Rodent Entry
- 20 Year Warranty
- Easy to Install and Paint

### STANDARD MATERIALS

ASTM A653/A653M- G90 hot dipped galvanized steel, 26GA  
ASTM D9092- mill phosphatized coating for painting. IF BONDERIZED  
ASTM b370- Sheet Copper, 16oz and 20oz IF GALVANIZED  
.025 x.025 hot dipped galvanized 23ga wire mesh

**Installation:** Install like any other similar Ventilator Product on the market.

**WARNING:** Do NOT cut product prior to installation. This will void all warranties. If smaller lengths are needed, please measure and order custom lengths prior to installation.