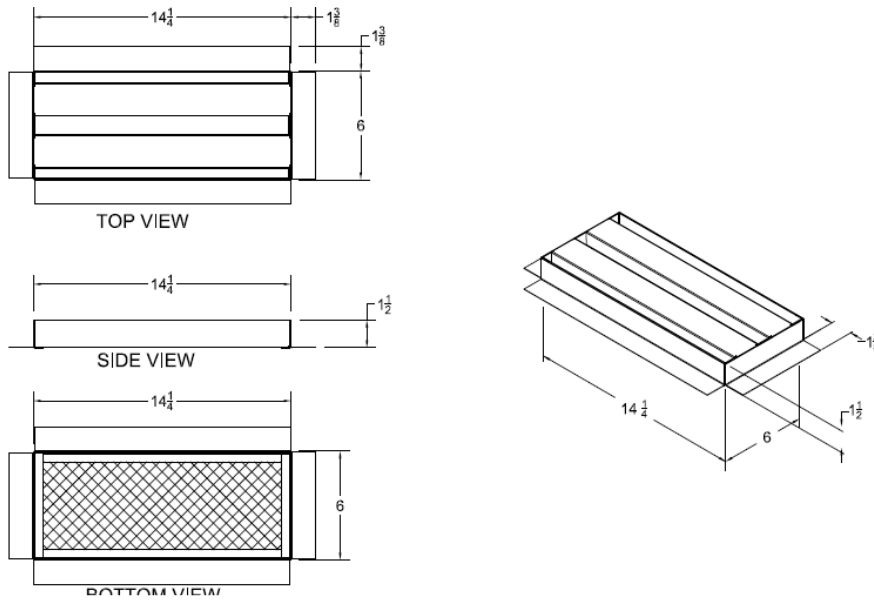




6" x 14" Foundation Vent Model # FV2011-FB



Foundation Vents	Model	Size W x L	NFVA Provided (Sq In)	Flanges Available	Flange Definition	Weight
	FV2011-FB	6" x 14"	23.4	Flange Back	Flange Back	4lbs
Custom sizes/shapes/materials AVAILABLE						

BENEFITS:

- Safety vents that are used in areas prone to wildfires, wind driven rain, or winddriven snow.
- Overlapping Baffle Protection (Patented)
 - Air Flows through normally
 - Resists the intrusion of Flames, Embers, Radiant Heat, Wind Driven Rain and Snow
- WUI Compliant and Meets Ch. 7a Building Code
- Approved for use throughout California and beyond
- Anti-Clogging Overlapping Baffles plus 1/8" mesh on back side of vent
- Prevents Rodent Entry
- 20 Year Warranty
- Easy to Install, Retrofit and Paint

STANDARD MATERIALS

ASTM A653/A653M- G90 hot dipped galvanized steel, 26GA
 ASTM D9092- mill phosphatized coating for painting. IF BONDERIZED
 ASTM b370- Sheet Copper, 16oz and 20oz IF GALVANIZED
 .025 x .025 hot dipped galvanized 23ga wire mesh

Installation: Install like any other similar Ventilator Product on the market.