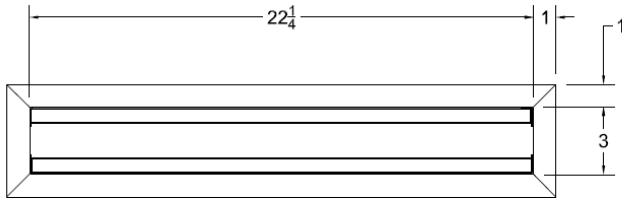
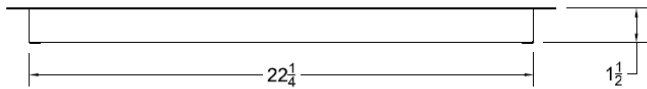


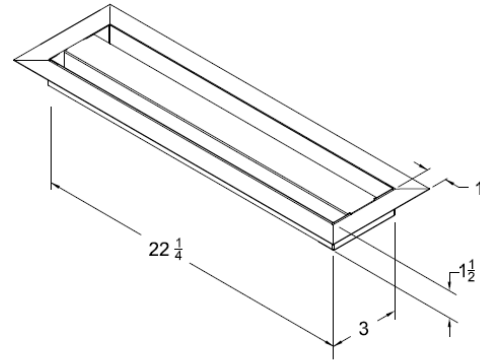
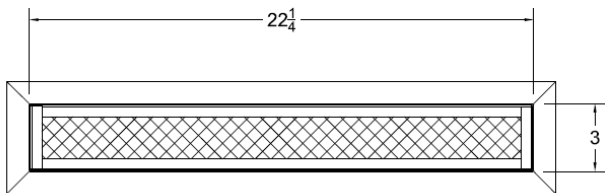
3" x 22" Soffit Vent Model # UE2041-FF



TOP VIEW



SIDE VIEW



Soffit Vents	Model	Size W x L	NFVA Provided	Flanges Available	Flange Definition	Weight
	y- 77		2	7 7		2
#	o #		† @ " O			

BENEFITS:

- Triple Protection (Patented)
 - Overlapping baffles resist embers, flames and radiant heat
 - Heat activated Intumescent Strips expand & seal openings during extreme fire conditions
 - 1/16" mesh on back side of vent for additional ember and bug protection
- WUI Approved for use throughout California and beyond (Calfire BML Approval # 8165-2232:0502)
- Tested and Listed to ASTM E2886/2912
- 1 hour Fire Rated per ASTM E119
- Air Flows through normally
- Also P k -
- - @ k h

STANDARD MATERIALS

• auU U 8 8
 • auU) @ " \ V) - k @ -)
 • auU o # @ 8 " Q " V @ -)
 6 6

Installation:

@ t h